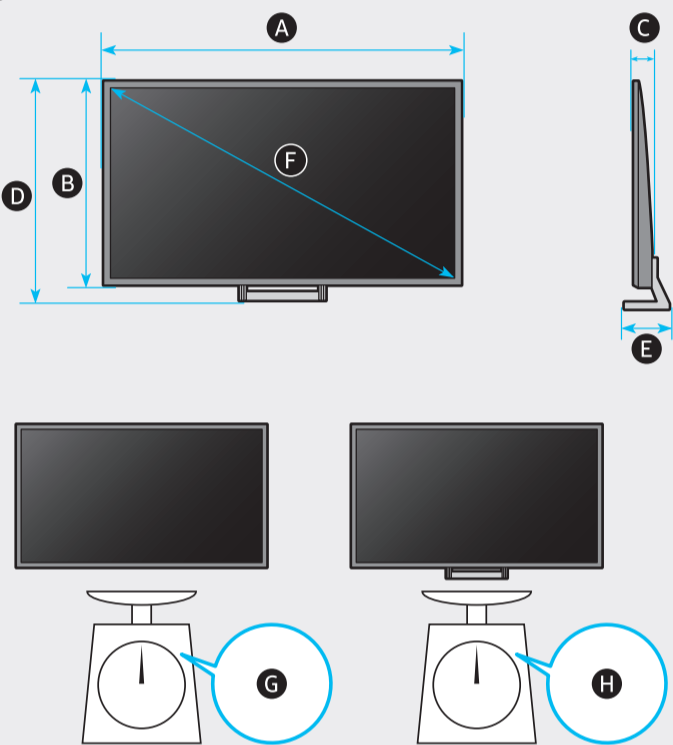
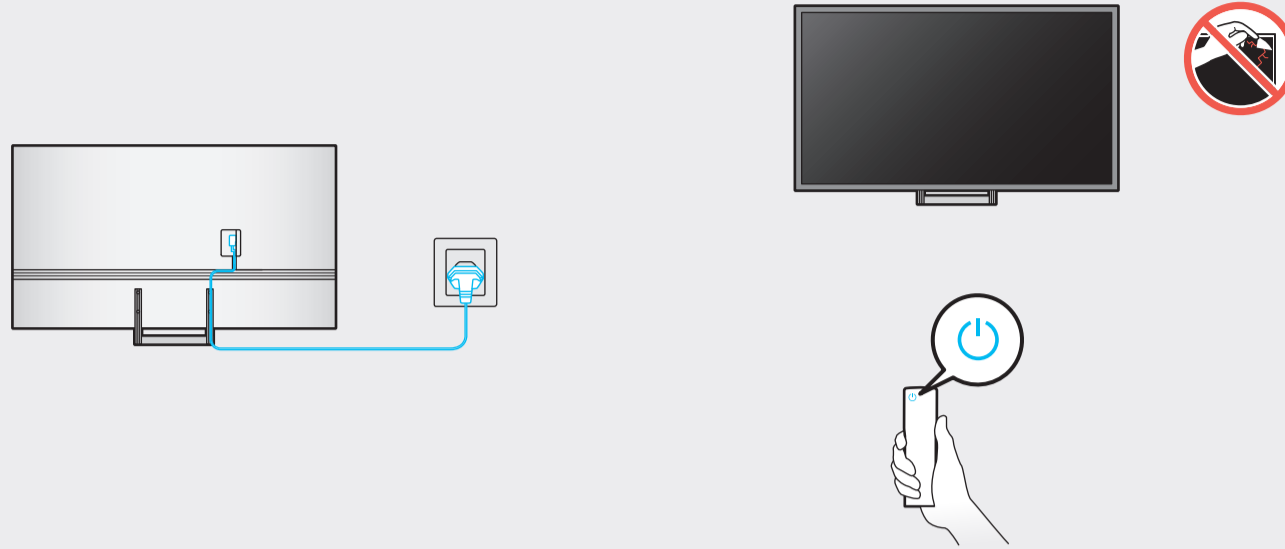
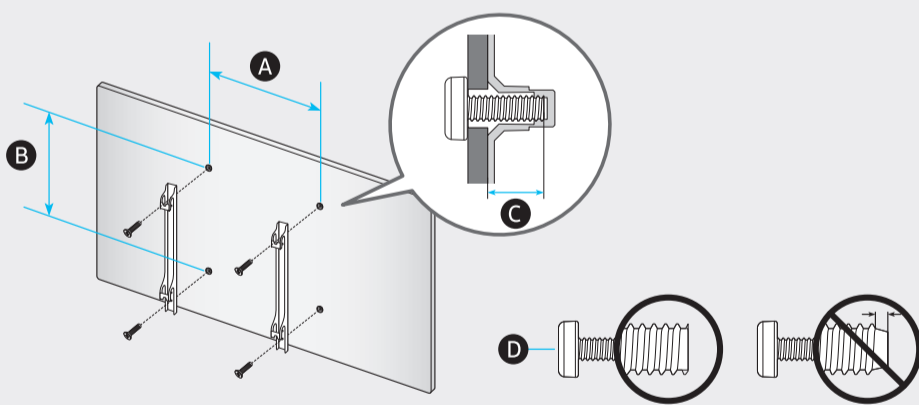


8



	A	B	C	D	E	F	G	H
75AU9*** 75UA9***	66.0 inches (1677.5 mm) (167.75 cm)	37.8 inches (960.7 mm) (96.07 cm)	1.0 inches (26.6 mm) (2.66 cm)	40.4 inches (1026.8 mm) (102.68 cm)	13.3 inches (338.9 mm) (33.89 cm)	74.5 inches (189 cm)	70.8 lbs (32.1 kg)	73.2 lbs (33.2 kg)
75Q6*A 75QA6*	66.0 inches (1676.7 mm) (167.67 cm)	37.8 inches (960.3 mm) (96.03 cm)	1.0 inches (26.6 mm) (2.66 cm)	40.4 inches (1026.4 mm) (102.64 cm)	13.3 inches (338.9 mm) (33.89 cm)	74.5 inches (189 cm)	70.8 lbs (32.1 kg)	73.6 lbs (33.4 kg)
85Q6*A 85QA6*	74.8 inches (1900.9 mm) (190.09 cm)	42.8 inches (1086.1 mm) (108.61 cm)	1.1 inches (26.9 mm) (2.69 cm)	45.4 inches (1152.6 mm) (115.26 cm)	14.5 inches (368.3 mm) (36.83 cm)	84.5 inches (214 cm)	91.5 lbs (41.5 kg)	95.2 lbs (43.2 kg)

*: 0-9, A-Z

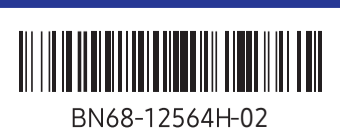


	VESA A x B (mm)	C (mm)	D x 4
75AU9*** 75UA9***	400 x 400	11-13	M8
75Q6*A 75QA6*			
85Q6*A 85QA6*	600 x 400		

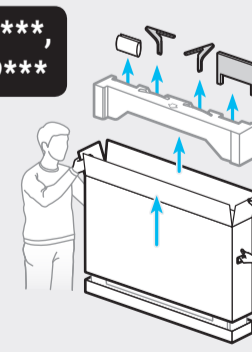
*: 0-9, A-Z

SAMSUNG

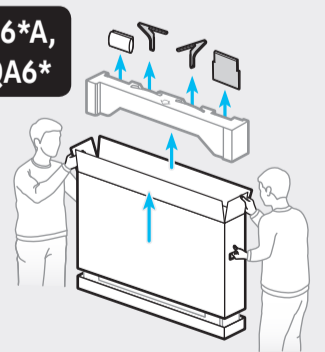
QUICK SETUP GUIDE
GUIDE D'INSTALLATION RAPIDE
GUÍA RÁPIDA DE CONFIGURACIÓN
GUIA RÁPIDO DE INSTALAÇÃO
KURZANLEITUNG ZUR KONFIGURATION
GUIDA DI INSTALLAZIONE RAPIDA



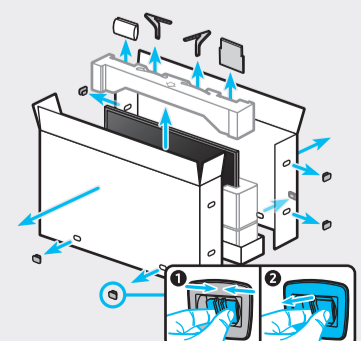
75AU9***,
75UA9***



75Q6*A,
75QA6*

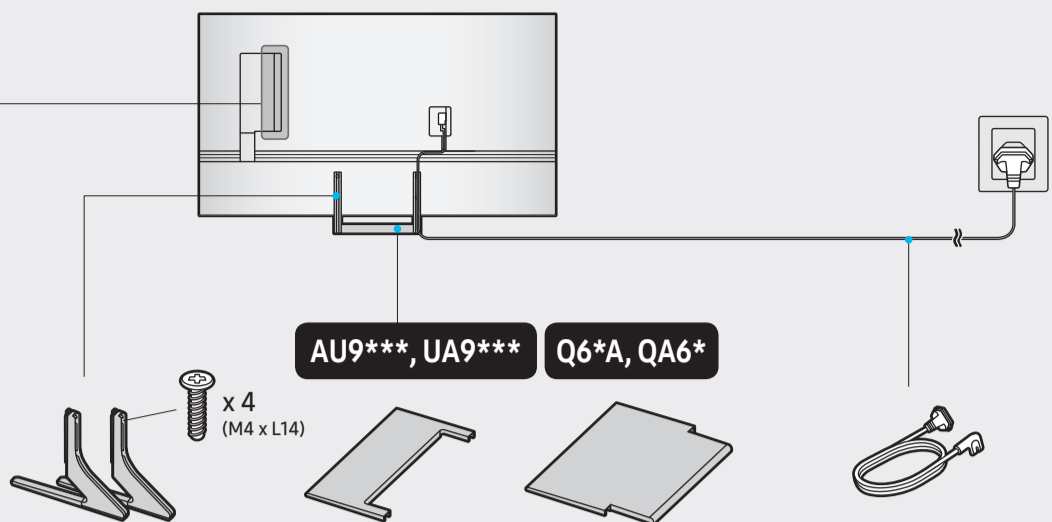


85Q6*A,
85QA6*

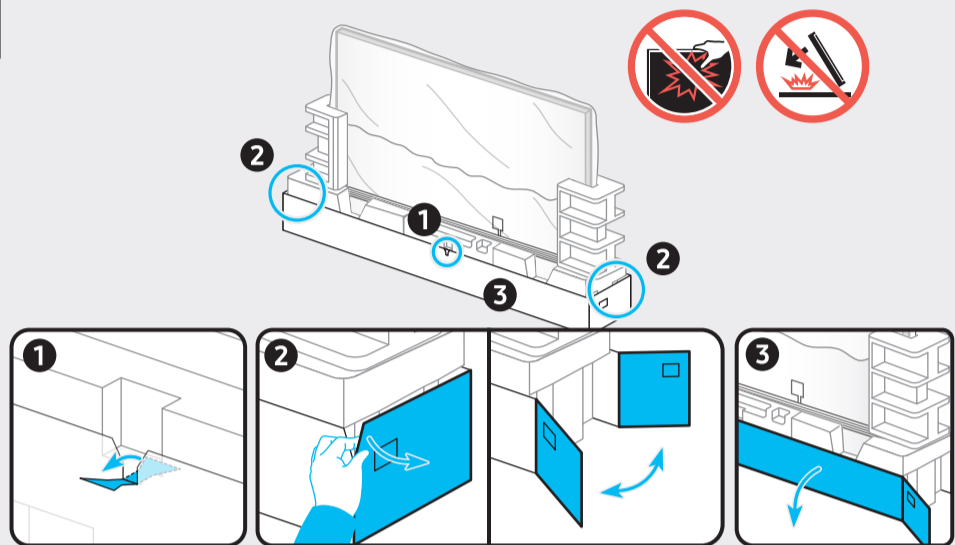




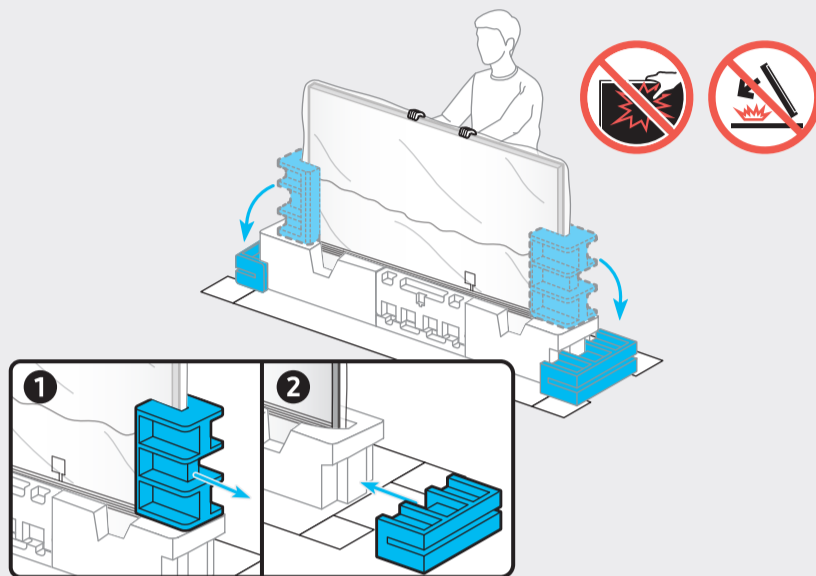
		USB +C
		OPTICAL
		HDMI (eARC)
		HDMI
		LAN
		ANT



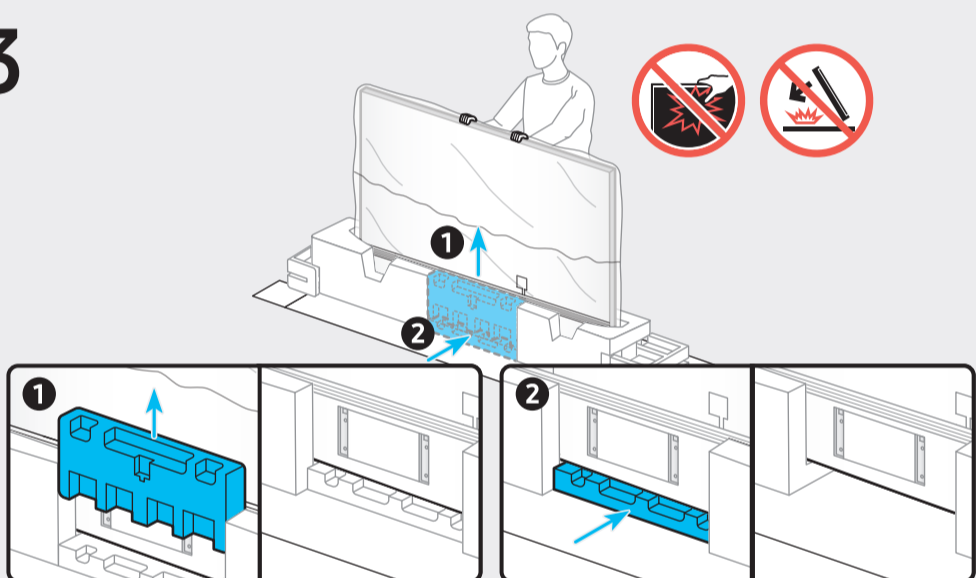
1



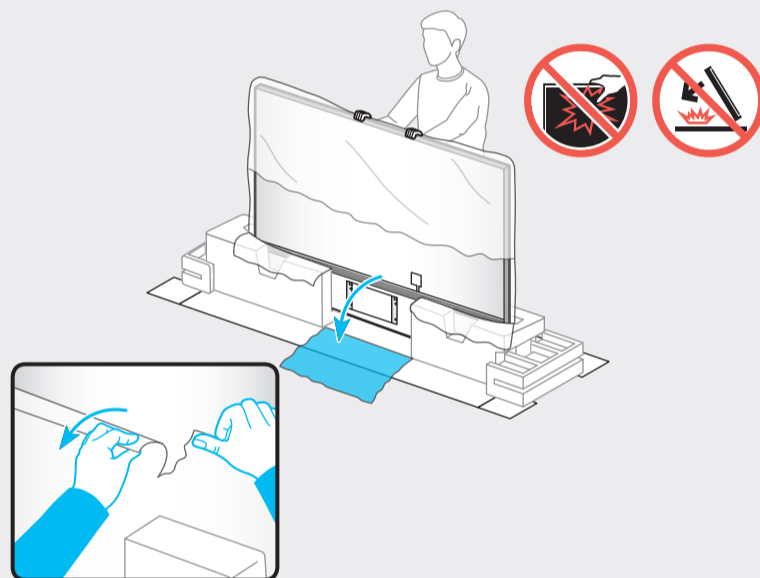
2



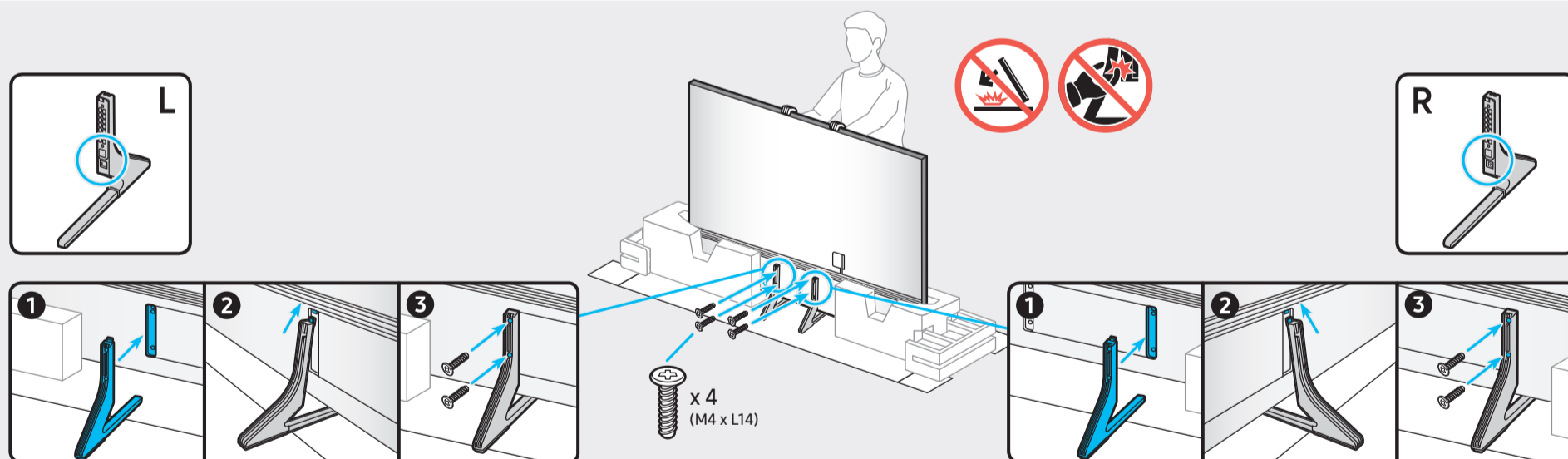
3



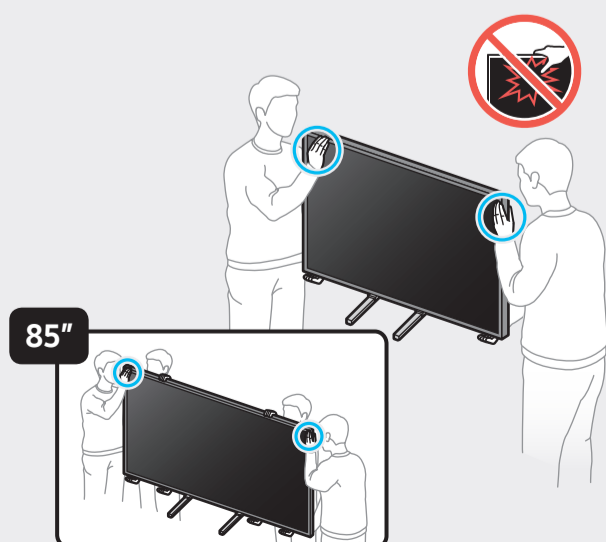
4



5



6



7

